

SPEAKER MOUNTING BRACKETS

**HY-WM2B
HY-WM2W
HY-WM2WP**

TOA's HY-WM2 series are used exclusively to mount the HX-5 series speaker system closely to a wall or ceiling. The brackets help to achieve clearer sound reproduction by minimizing phase interference generated by sound waves reflecting from walls or ceilings. Both the HY-WM2B and HY-WM2W are designed for indoor use, while the HY-WM2WP is designed for outdoor use.

1. SAFETY PRECAUTIONS

- Before installation or use, be sure to carefully read all the instructions in this section for correct and safe operation.
- Be sure to follow all the precautionary instructions in this section, which contain important warnings and/or cautions regarding safety.
- After reading, keep this manual handy for future reference.

⚠ WARNING
Indicates a potentially hazardous situation which, if mishandled, could result in death or serious personal injury.

- Install the unit only in a location that can structurally support the weight of the unit and the speaker. Doing otherwise may result in the speaker falling down and causing personal injury and/or property damage.
- (HY-WM2B and HY-WM2W only)
Since the unit is designed for indoor use, do not install it outdoors. If installed outdoors, the aging of parts causes the unit to fall off, resulting in personal injury.
- Owing to the speaker's size and weight, be sure that at least two persons are available to install the speaker. Failure to do so could result in personal injury.
- Do not use other methods than specified to mount the unit. Extreme force is applied to the unit and the speaker could fall off, possibly resulting in personal injuries.
- Use nuts and bolts that are appropriate for the wall's or ceiling's structure and composition. Failure to do so may cause the speaker to fall, resulting in material damage and possible personal injury.
- Tighten each nut and bolt securely. Ensure that the unit has no loose joints after installation to prevent accidents that could result in personal injury.
- Use the specified speaker in combination. Doing otherwise may cause the speaker to fall off, resulting in personal injury.
- Do not mount the unit in locations exposed to constant vibration. The unit can be damaged by excessive vibration, potentially causing the speaker to fall, which could result in personal injury.
- Avoid installing the speaker in locations close to the seashore or in indoor swimming facilities that are not well ventilated. In such locations the unit may be vulnerable to corrosion, eventually allowing the speaker to fall resulting in personal injury.

⚠ CAUTION
Indicates a potentially hazardous situation which, if mishandled, could result in moderate or minor personal injury, and/or property damage.

- Avoid touching the unit's sharp metal edge to prevent injury.

2. PRECAUTIONS WHEN INSTALLING THE HY-WM2WP

Only the HY-WM2WP can be installed outdoors.
 • Only the HX-5B-WP and HX-5W-WP speakers can be installed outdoors.
 • Install the speaker so that all speaker modules face downward from the horizontal axis. Doing otherwise could adversely affect the speaker's weather resistance and possibly lead to malfunction or failure.

3. INSTALLATION

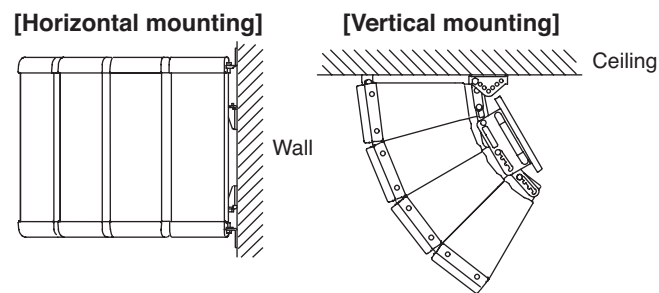
[Mounting the front brackets]

- Step 1.** Remove the front grill of the speaker module to be mounted to a wall or ceiling. Use the supplied hex head wrench to remove the bolts.
- Step 2.** Remove the front end bar brackets, and attach the front brackets instead.
Note: There are 2 different types of front brackets A and B. Attach them correctly as illustrated.
- Step 3.** Reattach the removed front grill to the speaker module, and retighten the bolts, making sure that the edges of the grilles fit into their receptacle slots.

[Mounting the rear brackets]

- Step 4.** Fix the rear brackets A and B to the HX-5 series using the bolts.
 Before mounting the rear brackets, remove the speaker's original bolt only at one place as indicated in the diagram.
 To fix the brackets, use all the 4 supplied mounting bolts without using the removed bolt.
- Step 5.** Change the position of the angle adjustment bolts (at the brackets A and B) to set the desired angle between the wall or ceiling and the HX-5 series, then fix the bolts in this position.
- Step 6.** Install the HX-5 series to a wall or ceiling
Note: Anchor bolts, nuts and washers required for mounting are not supplied with the bracket.

4. FINISHED ASSEMBLING DIAGRAM

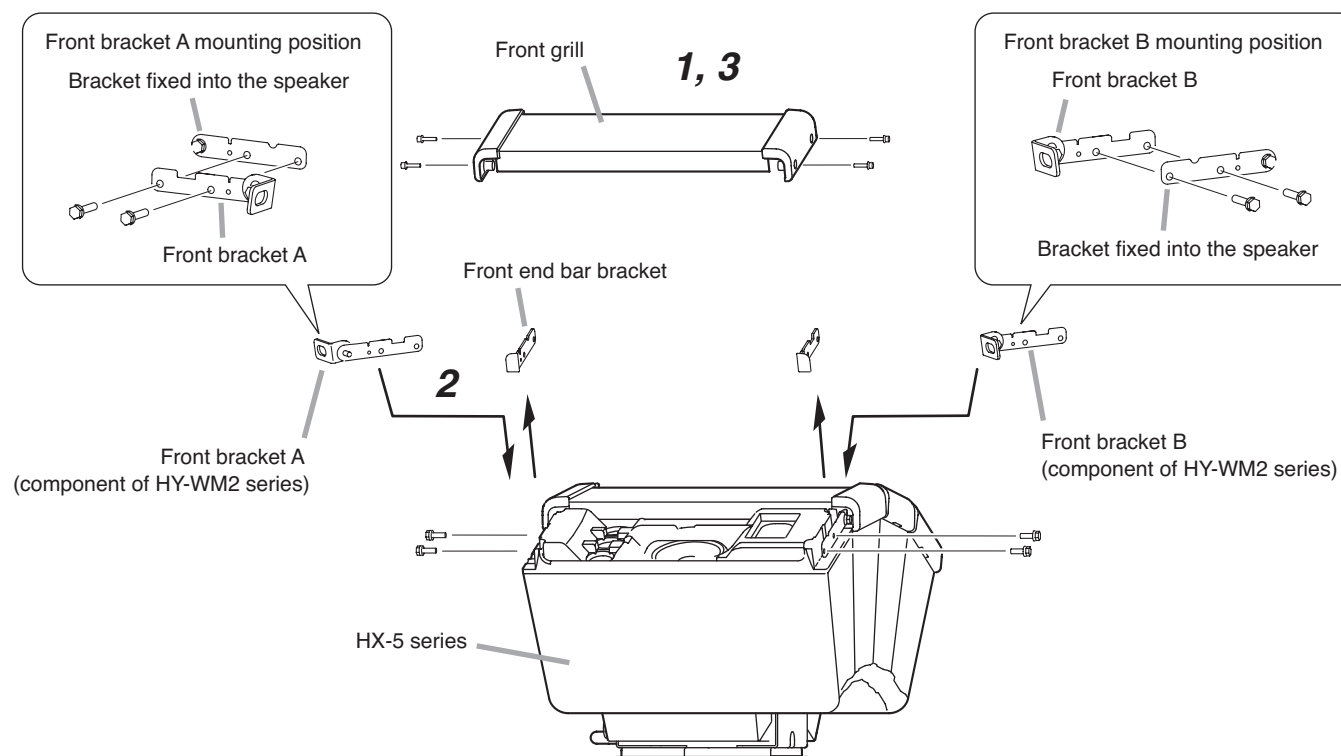


5. SPECIFICATIONS

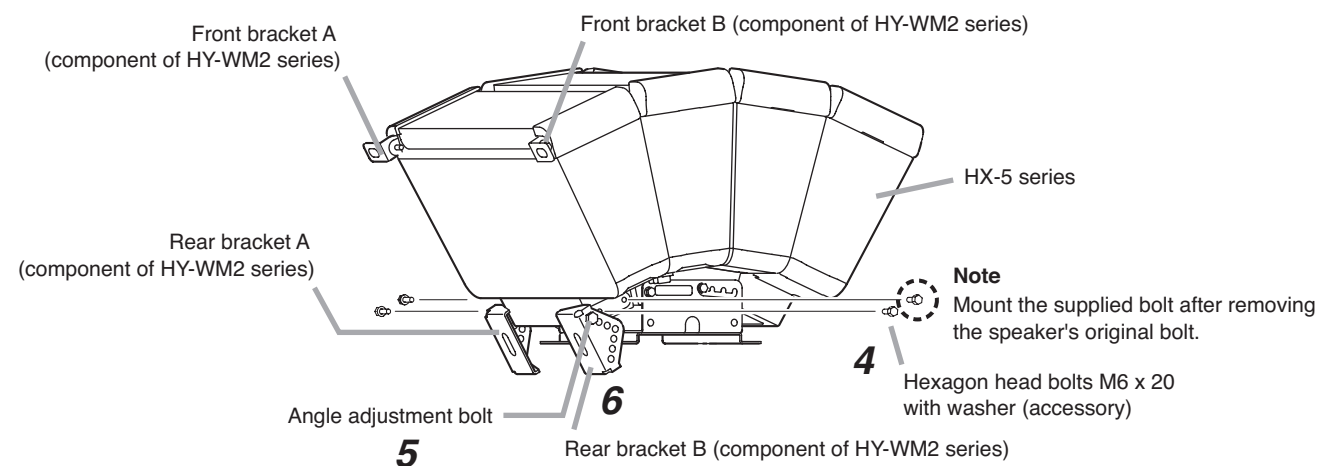
Model No.	HY-WM2B	HY-WM2W	HY-WM2WP
Finish	Steel plate, black, semi-gloss, paint	Steel plate, white, semi-gloss, paint	Stainless steel (SUS304)
Weight	600 g		
Product Composition	Front bracket A/B* ... 1 each, Rear bracket A/B* ... 1 each * Brackets A and B are symmetrical to each other.		
Accessory	Hexagon head bolt M6 x 20 with washer 4		

Note: The design and specifications are subject to change without notice for improvement.

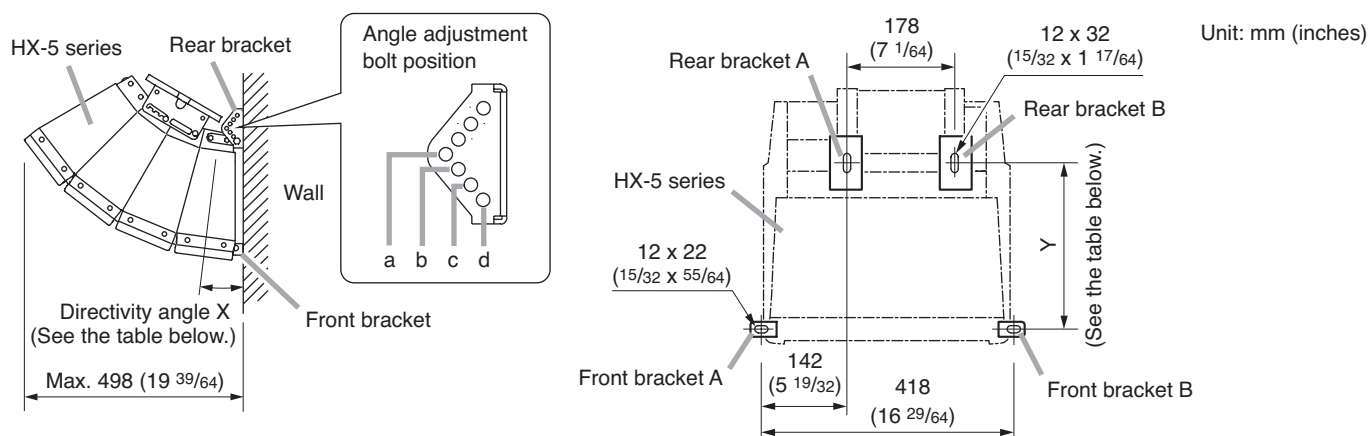
[Mounting the front brackets (speaker front side)]



[Mounting the rear brackets (speaker rear side)]



6. MOUNTING DIMENSIONS



Note: The angle X and the distance Y vary depending on the bolt position.

	Angle adjustment bolt position			
	a	b	c	d
Directivity angle X	1.875°	3.75°	5.625°	7.5°
Distance Y	245 mm (9 41/64")	255 mm (10 1/32")	265 mm (10 27/64")	275 mm (10 13/16")